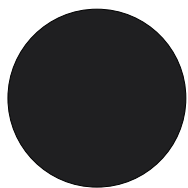


FourMe® 44

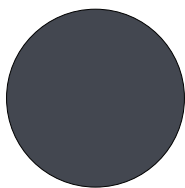
EN

Design: Strand + Hvass

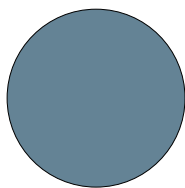
Shell colour



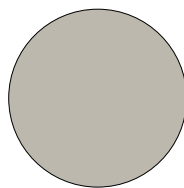
EBONY BLACK



ANTHRACITE

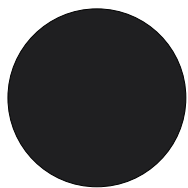


AQUA

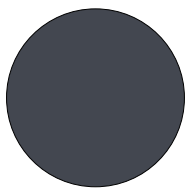


BEACH

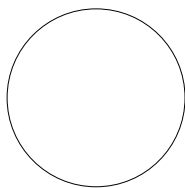
Frame colour



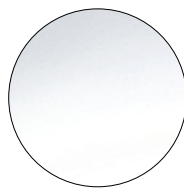
MAT BLACK



MAT GREY



MAT WHITE



CHROME



OAK

Options

Upholstery: Seat upholstery / inside upholstery / fully upholstered

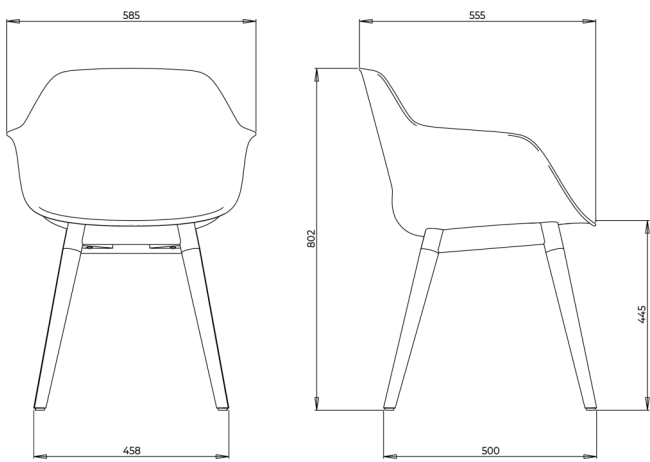
Glides: Teflon / Felt / Noise reducing

FourMe® 44

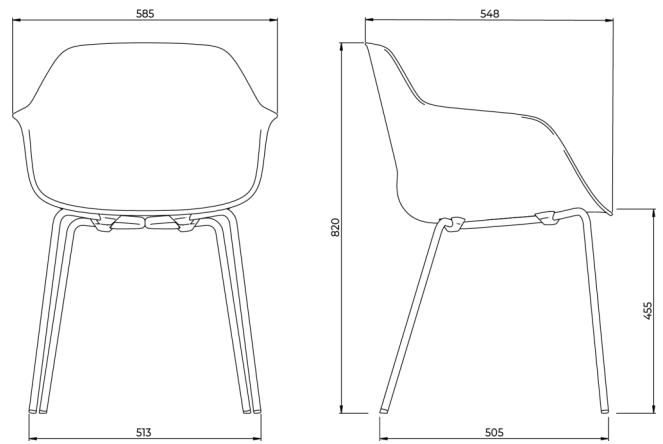
EN

Design: Strand + Hvas

FourMe 44 with wooden legs



FourMe 44



Design: Strand + Hvass

Materials

Shell

Bio Composite: WPC with wood fibre (min. 20 %).
Recyclable.
Meets the RoHS and REACH directives and are halogen free.

Foam: Type CMHR-65H eco-tex standard 100 and The Furniture and Furnishings (Fire) (Safety) Amended Regulations 1989 Schedule 1, Part 1.

Glue Foam: SABA Activator 3739, Aquabond RSD 3801 blue.

Foam thickness:
Seat 15 mm.
Inside upholstery 15 mm.
Fully upholstered 20/10/5 mm.

Frame, Steel

Tube: Ø16 X 2 mm, Ducol 500
Glides (standard): PA
Lock: ABS

About 50 percent of the total EU steel production is derived from recycled steel.

Frame, Wood

Oiled oak
Legs Ø26 / 42 mm. Rail 21 x 55 mm.
Glides (standard): PA
Lock: ABS

Weight and dimensions

With steel frame: 6 kg
With wooden frame: 5,2 kg

Dimensions are valid for chairs with polycell without upholstery.

Quality and environment

At Four Design, we are aware of our environmental responsibility.

We strive to reduce our company, and our customer's impact on the environment by producing quality furniture in a sustainable manner.

Procurement

We procure materials from responsible suppliers who comply with our high standards, ensuring that the materials are sustainably sourced and managed, conforming to applicable laws and regulations such as legal logging and chemical restrictions.

Production

We are ISO14001 certified, guaranteeing excellent environmental standards of our manufacturing sites.

Use

Four Design provides a 5-year warranty on all products within our price list. This warranty covers breakage and damage of products occurring because of deficient craftsmanship performance under normal use. The warranty shall lapse if the product shows signs of mishandling abuse or other physical damage. The warranty does not cover those parts of the product which are exposed to abrasion during use.

We kindly refer to our Maintenance Guide: http://www.fourdesign.dk/pdf/Maintenance_Guide.pdf

Recycling

We are working towards the aim for all our products to be minimum 95% recyclable.

Products must be separated into their components and disposed of separately.

All metal parts can be disposed of and recycled by an approved organisation. Lacquered frames are treated with a paint classified as not dangerous according to directive 1999/45/EF.

Wood can either be recycled or incinerated.

Plastic shells can be recycled. The shell will be granulated and reused in new plastic production.

Upholstery and veneer shells are not recyclable but can be disposed of by incineration.